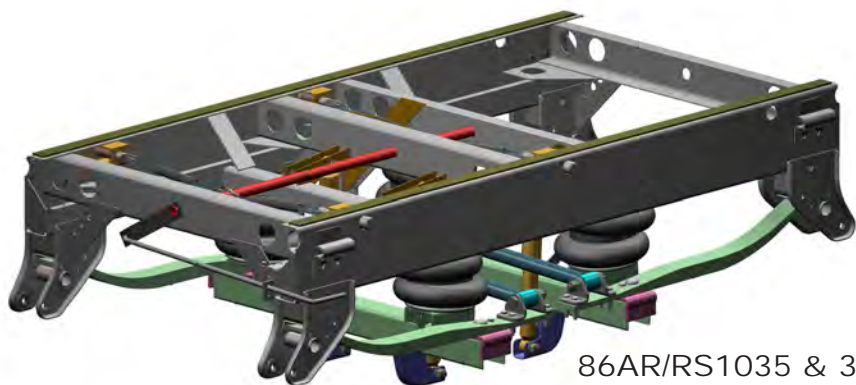
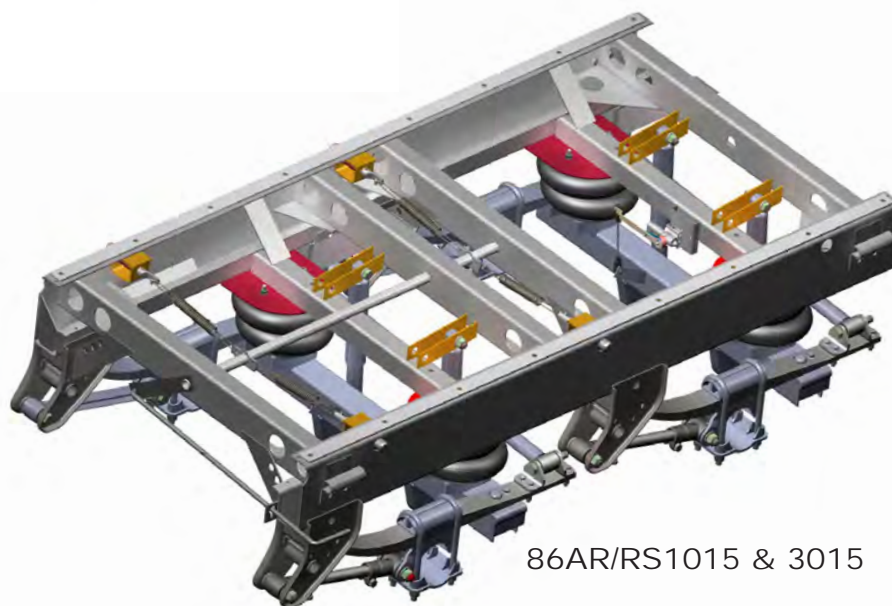


## Model 86AR Air Ride Slider



86AR/RS1035 & 3035



86AR/RS1015 & 3015

**1-800-753-0050**

[www.reycogranning.com](http://www.reycogranning.com)

Reyco Granning Suspensions  
1205 Industrial Park Drive  
Mount Vernon, MO 65712  
Phone: 417-466-2178  
Fax: 417-466-3964

## **COMPANY PROFILE**

Reyco Granning Suspensions was formed by the merger and acquisition of two well-known names in the heavy-duty vehicle suspension industry: Reyco and Granning.

Reyco grew out of the Reynolds Mfg. Co. and was first known as a major supplier of brake drums for heavy-duty vehicles, and later developed a full line of air and steel spring suspensions for trucks, busses, trailers, and motorhomes.

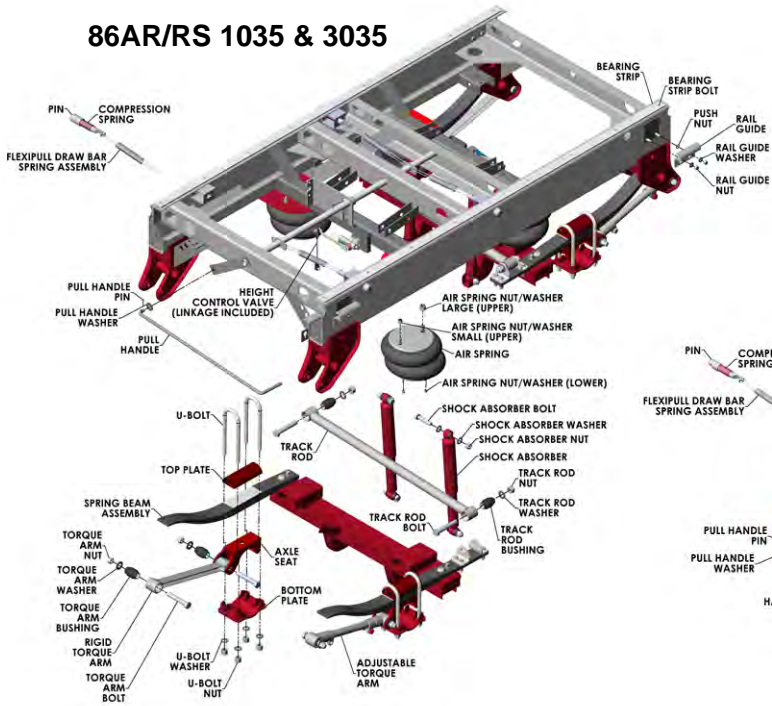
Granning Air Suspensions was founded in 1949 in Detroit, Michigan as a manufacturer of auxiliary lift axle suspensions. Granning later became an innovator of independent front air suspensions for the motorhome industry.

Reyco Granning LLC was formed in early 2011 through a partnering of senior managers and MAT Capital, a private investment group headquartered in Long Grove, Illinois.

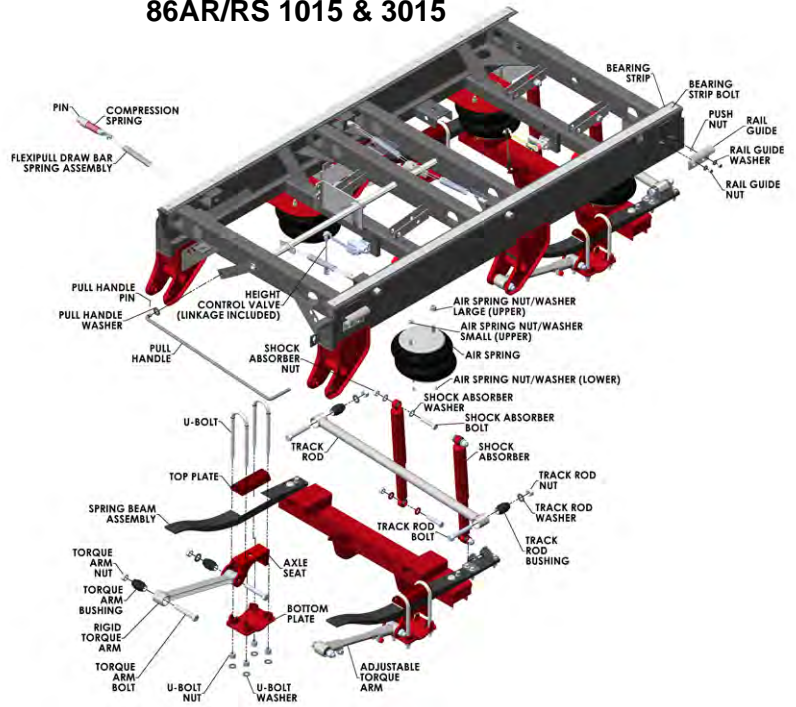
Reyco Granning manufacturing facilities are certified to the ISO9001:2008 standards, a globally recognized assurance that quality standards have been established and are maintained by regular rigorous audits.

This booklet contains the most commonly sold services parts. For additional parts, please contact the Aftermarket Customer Account Representative at: 800-753-1050.

86AR/RS 1035 & 3035



86AR/RS 1015 & 3015



Part #	Description
22662-01	Front Hanger Assembly
1035-20	Adjustable Torque Arm ( 19 7/8")
0075-20	Rigid Torque Arm ( 19 7/8")
0972901	Torque Arm Bushing
18165-01	Shock Absorber Assembly
20018-01	Air Spring (with Studs)
19789-02	Lower Air Spring Support Assembly
19620-01	Bearing Strip
20740-01	Slider Lock Pin (1 5/8" - Hutch Rails)
20740-02	Slider Lock Pin (1 3/8" - Binkley Rails)
19753-01	Slider Lock Pin (1 3/8" Slot Style)
19913K1	Spring Beam Assembly (with Liner - Left Hand)
19914K1	Spring Beam Assmly (with Liner - Right Hand)

Service Parts Model 21B Cast

Model	Part #	Item Description	Quantity
86AR	21225-148	<b>Pull Handle Kit (48" Frame)</b>	<b>1</b>
		<i>Pull Handle</i>	1
		<i>Washer, Flat 5/8 x 1.75</i>	1
		<i>Cotter Pin</i>	1

Model	Part #	Item Description	Quantity
86AR	K700560	<b>Spring Beam Hardware Kit (Left Hand)</b>	<b>1</b>
		<i>Lock Nut, Hex 1/2-20 UNF GR.C</i>	5
		<i>Washer, Flat 1/2 x 1.06</i>	5
		<i>Bolt, Hex 1/2-20 UNF 2.50</i>	5
		<i>Bolt, Hex 7/8-14 UNF 3.0 G8</i>	1
		<i>Lock Nut, Hex 7/8-14 UNF GR.C</i>	1
		<i>Washer, Flat 7/8 x 1.75</i>	1

Model	Part #	Item Description	Quantity
86AR	K700561	<b>Spring Beam Hardware Kit (Right Hand)</b>	<b>1</b>
		<i>Lock Nut, Hex 1/2-20 UNF GR.C</i>	1
		<i>Washer, Flat 1/2 x 1.06</i>	1
		<i>Bolt, Hex 1/2-20 UNF 2.50</i>	1
		<i>Bolt, Hex 7/8-14 UNF 3.0 G8</i>	1
		<i>Lock Nut, Hex 7/8-14 UNF GR.C</i>	1
		<i>Washer, Flat 7/8 x 1.75</i>	1

Model	Part #	Item Description	Quantity
86AR	K712123	<b>Lower Shock Bracket Kit (One Axle)</b>	<b>1</b>
		<i>Air Spring Support Assembly</i>	2

**Reyco**<sup>®</sup>  
**Granning**<sup>®</sup>  
S U S P E N S I O N S

*ISO 9001:2008 Certified*

**1-800-753-0050**

[www.reycogranning.com](http://www.reycogranning.com)

Mount Vernon  
1205 Industrial Park Drive  
Mount Vernon, MO 65712  
(800) 753-0050, Fax (417) 466-3964