

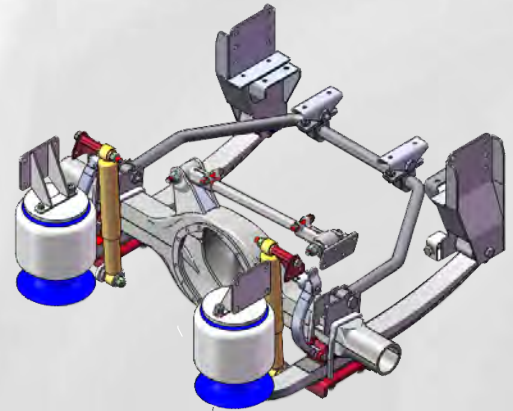
Motorhome Suspensions



Model 610

Drive Axle Air Ride Suspension

One basic model with choice of shock absorbers and axles to be fitted. Durable suspension with minimal maintenance required.



Features

- Air springs positioned to absorb road impact
- Added spring beam length allows flexibility
- Vertical shock mounting and proven damping values provide the ultimate in ride and control
- Side to side load compensation with dual height control valve option

Specifications

- 12,000 lbs. to 17,000 lbs. load capacity
- Custom ride heights to fit multiple applications
- Axle travel 2.3" up & 2.8" down

1-800-753-0050
www.reycogranning.com

Reyco Granning Suspensions
1205 Industrial Park Drive
Mount Vernon, MO 65712